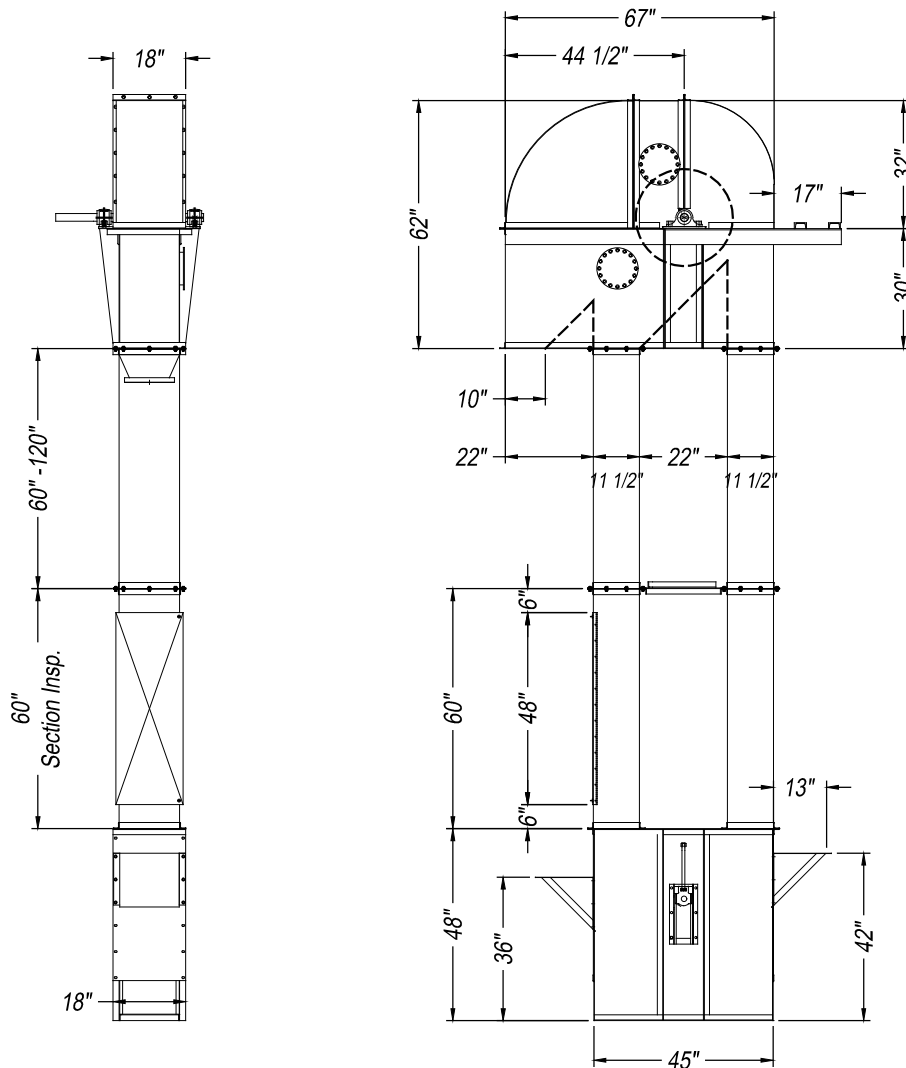




BUCKET ELEVATOR SPECIFICATIONS

MODEL	MAJOR I-35	MAJOR I-40
(1) Capacity in Bu/hour	3500	4000
Belt Speed F.P.M.	460	460
Head Pulley R.P.M.	73	80
Bucket Spacing	8	8"
Bucket Size	11" x 6" C.C.	11" x 6" C.C.
Head Pulley Size	24" Dia. X 12" Face	24" Dia. X 12" Face
Head Shaft Dia.	See Head Shaft Dia. Chart Page 10	See Head Shaft Dia. Chart Page 10
Boot Shaft Dia.	1-7/16"	1-7/16"
Head Casing	11, 12 & 14 Gauge	11, 12 & 14 Gauge
Boot Casing	11 Gauge	11 Gauge
Legging	14 Gauge	14 Gauge
Recommended Spouting	10"	10"
Bearings	Roller Bearing, Pillow Block	Roller Bearing, Pillow Block
Belt Size	P.V.C. 12" Wide	P.V.C. 12" Wide
(1) @75% Cup Filling		

Dimensions



MAJOR BUCKET ELEVATOR

Scale: 1/4" = 1'