

GRAINMAN

5700 Series

BAG CLOSER COMPACT SYSTEM

Grainman offers a compact system to close bags with different options.

This portable unit is used with an adjustable pedestal to be used depending on the size of the bag.

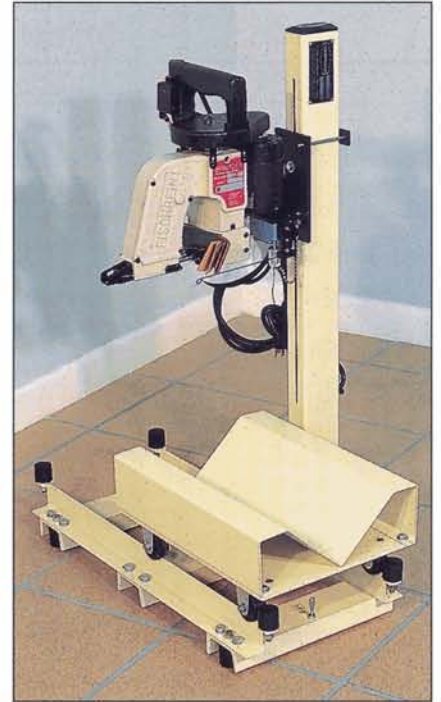
The bag will be placed on a carriage which will travel horizontally to the bag closer, and after the bag is completely closed, it will return to its original position by a tension spring.

The carriage will travel on steel tracks; at the end of each track you will find a rubber stop for the carriage to stop without an impact.

This will be available in 2 sizes, one will be 34" for small bags (Model 57-34), and the other will be 48" for large bags (Model 57-48).

With each model you will find a thread cone holder for cones of 2.5 Lbs. (1.1 Kgs).

The standard platform to place the bags is flat, but you have the option of a V platform (Model 57-34 V) or (Model 57-48 V) depending on the size you select.



Model 57-34V

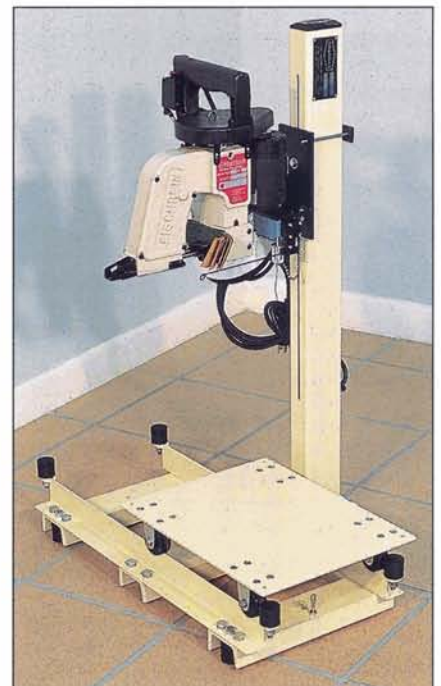


This equipment comes with a standard actuator to start and stop the bag closer automatically or with a foot switch to start or stop the bag closer by the operator.

OPTIONAL EQUIPMENT:

- Tape attachment, manual tape, and thread cutter.
- Electronic scale for 44 or 110 Lbs. with indicator on pedestal.

**Model
57-34
with scale**

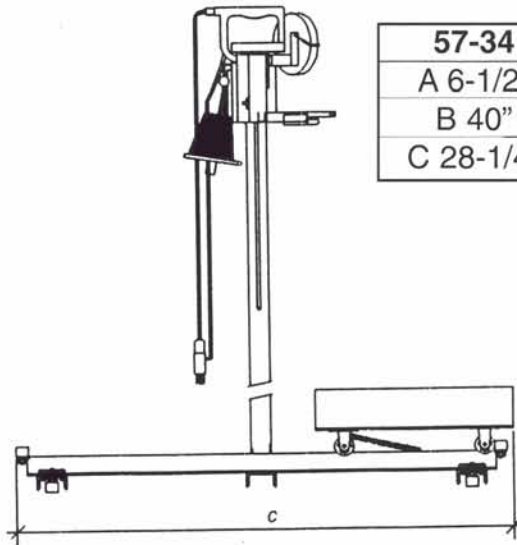
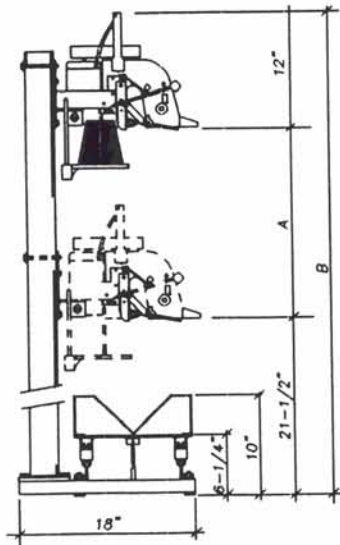


**Model
57-34**

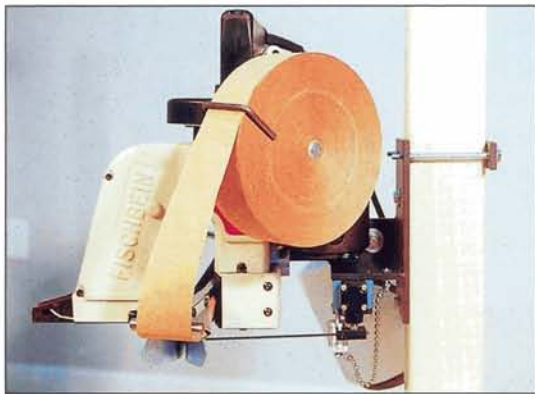
BAG CLOSER CARRIAGE COMPACT SYSTEMS

Specifications for 5700 Series

Model	Shipping Weight	Shipping Dimensions (LxWxH)
57-34	140 Lbs (63.5 Kgs.)	43" x 23" x 20" (109.2 x 58.4 x 50.8 cm)
57-48	180 Lbs (81.6 Kgs.)	53" x 23" x 20" (134.6 x 58.4 x 50.8 cm)
57-34V	148 Lbs (67.1 Kgs.)	43" x 23" x 20" (109.2 x 58.4 x 50.8 cm)
57-48V	188 Lbs (85.3 Kgs.)	53" x 23" x 20" (134.6 x 58.4 x 50.8 cm)
Power Requirements	115 Volts 50/60 Hz 1.1 amps	single phase
	220 Volts 50/60 Hz 0.6 amps	single phase
Thread	Up to 2.5 Lbs cones (1.1 Kgs)	



57-34	57-48
A 6-1/2"	A 21-3/4"
B 40"	B 55-1/4"
C 28-1/4"	C 50-1/2"



Bag Closer with Tape Attachment
(Bag closer model may vary)



Bench Scale
Shown model for illustration purpose only - Scale model may vary



We reserve the right to make changes without notice.

GRAIN MACHINERY MFG. CORP.

1130 N.W. 163rd Drive
Miami, FL 33169
Phone: (305) 620-2525
Fax: (305) 620-2551
Web site: www.grainman.com

DISTRIBUTOR:

Made in USA
Printed by AC Graphics
C-9