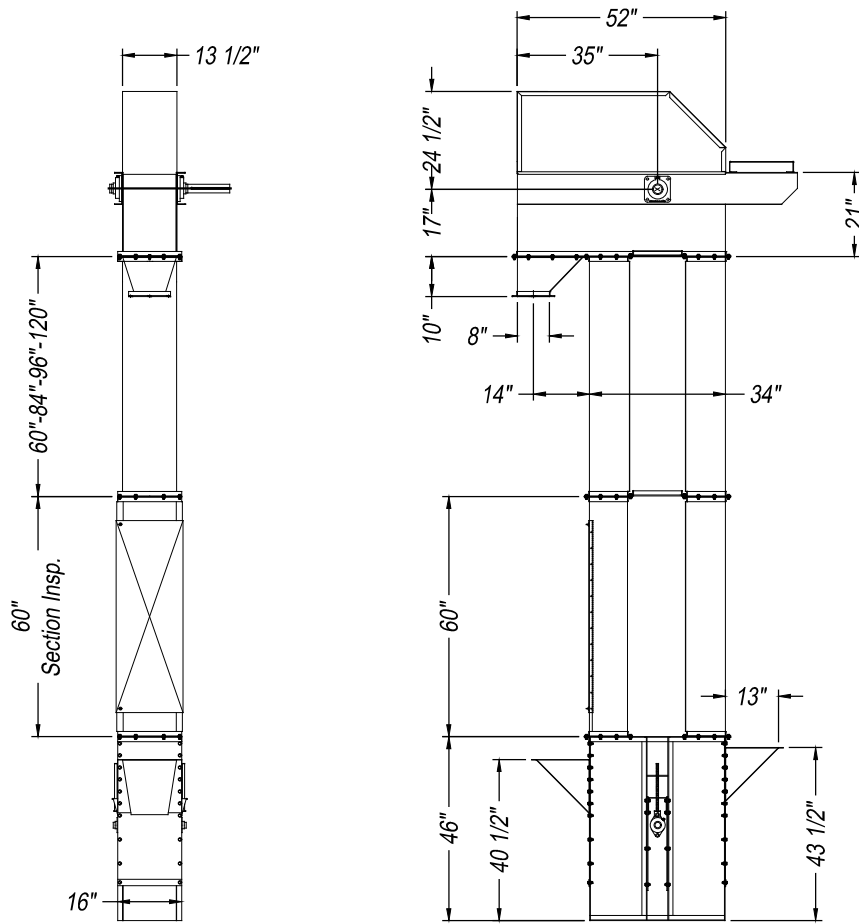




BUCKET ELEVATOR SPECIFICATIONS

MODEL	SUPER 250	SUPER 300
(1) Capacity in Bu/hour	2500	3000
Belt Speed F.P.M.	500	500
Head Pulley R.P.M.	120	120
Bucket Spacing	9-1/2"	8"
Bucket Size	9" x 6" C.C.	9" x 6" C.C.
Head Pulley Size	16" Dia. X 10" Face	16" Dia. X 10" Face
Head Shaft Dia.	2-3/16"	2-3/16"
Boot Shaft Dia.	1-7/16"	1-7/16"
Head Casing	12 Gauge	12 Gauge
Boot Casing	12 Gauge	12 Gauge
Legging	14 Gauge	14 Gauge
Recommended Spouting	8"	8"
Bearings	Ball Bearing, Flange Type	Ball Bearing, Flange Type
Belt Size	P.V.C. 10" Wide	P.V.C. 10" Wide
(1) @75% Cup Filling		

Dimensions



SUPER BUCKET ELEVATOR

Scale: 1/4" = 1'