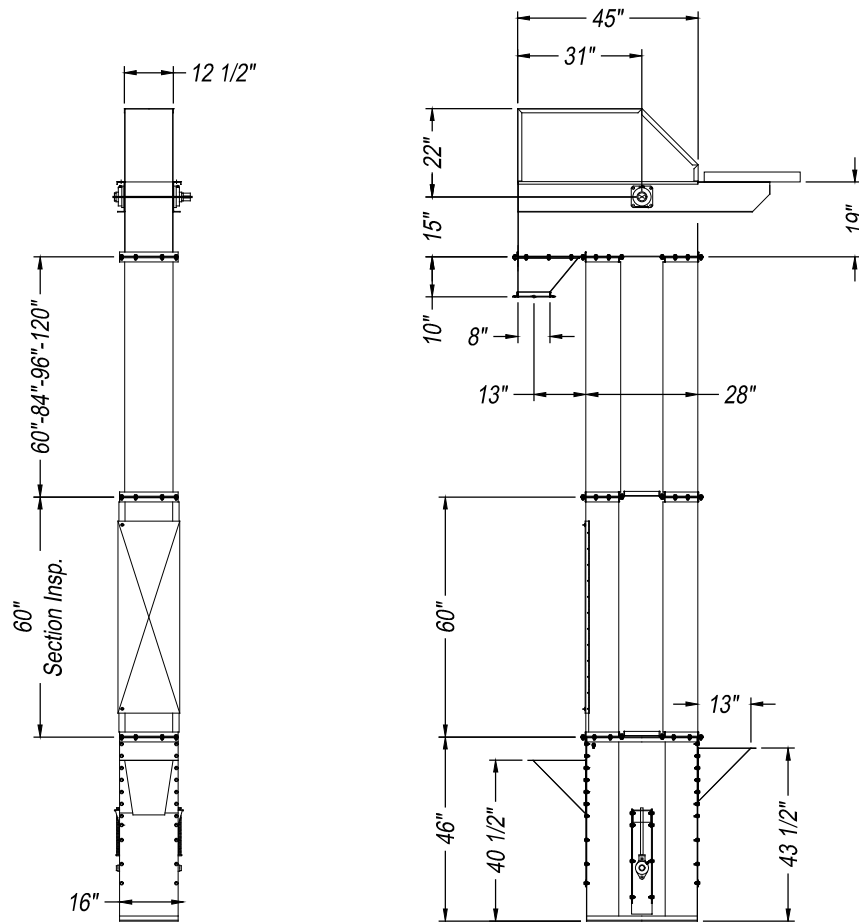




BUCKET ELEVATOR SPECIFICATIONS

MODEL	SENIOR 120	SENIOR 150	SENIOR 200
(1) Capacity in Bu/hour	1300	1600	2000
Belt Speed F.P.M.	434	434	434
Head Pulley R.P.M.	120	120	120
Bucket Spacing	12"	10"	7"
Bucket Size	9" x 5" C.C.		
Head Pulley Size	12-3/4" Dia. X 10" Wide		
Head Shaft Dia.	1-15/16"		
Boot Shaft Dia.	1-3/16"		
Head Casing	12 Gauge		
Boot Casing	12 Gauge		
Legging	14 Gauge		
Recommended Spouting	6"	8"	8"
Bearings	Ball Bearing, Flange Type		
Belt Size	P.V.C. 10" Wide		
(1) @75% Cup Filling			

Dimensions



SENIOR BUCKET ELEVATOR

Scale: 1/4" = 1'