

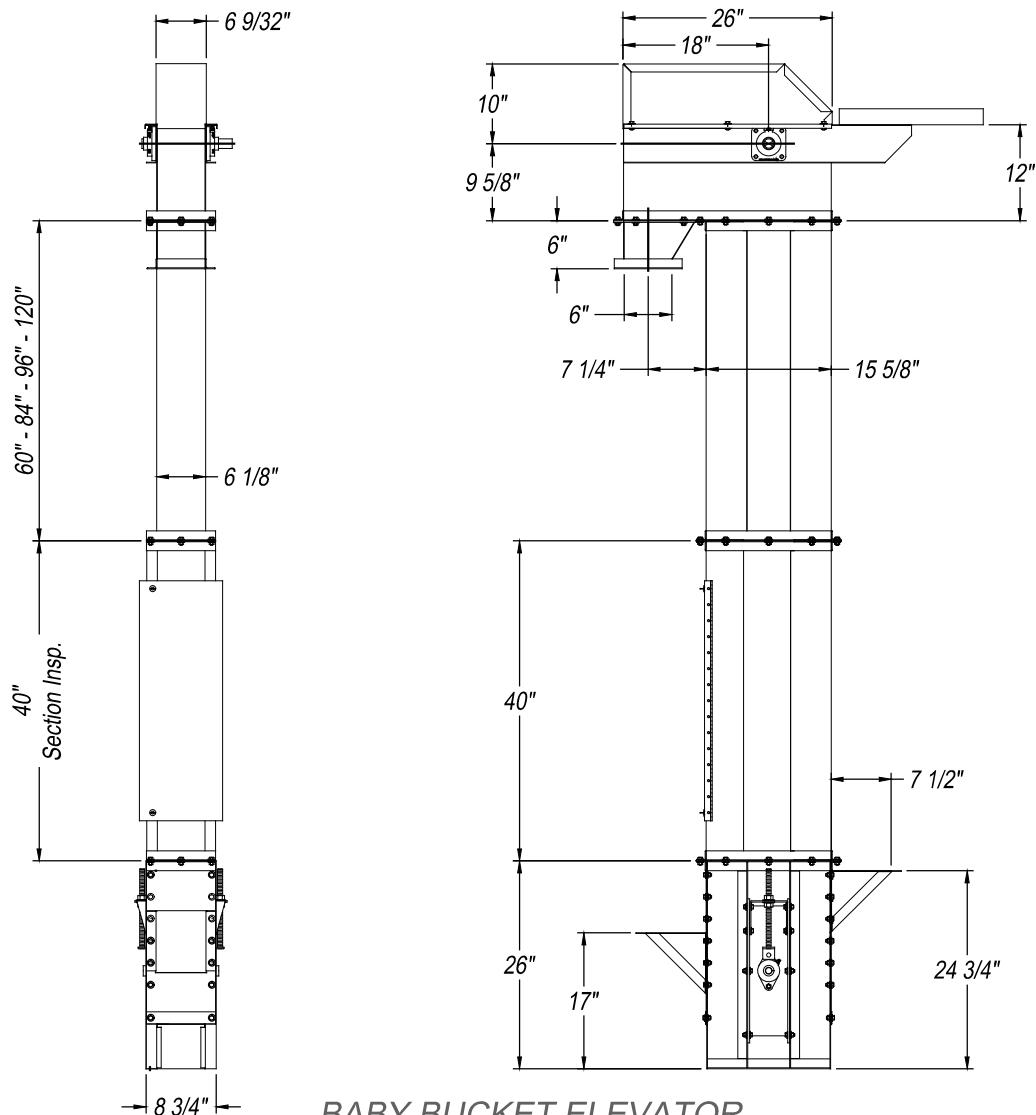


## BUCKET ELEVATOR SPECIFICATIONS

MODEL	BABY 10	BABY 20	BABY 30
(1) Capacity in Bu/hour	100	200	300
Belt Speed F.P.M.	225	225	225
Head Pulley R.P.M.	130	130	130
Bucket Spacing	12"	6"	4"
Bucket Size		4"x3" C.C.	
Head Pulley Size		6" Dia. 5-1/2" Face	
Head Shaft Dia.		1-3/16	
Boot Shaft Dia.		7/8	
Head Casing		14 Gauge	
Boot Casing		14 Gauge	
Legging		16 Gauge	
Recommended Spouting	4"	4"	6"
Bearings	Ball Bearing	Flange Type	
Belt Size		P.V.C. 5" Wide	

(1) @75% Cup Filling

### Dimensions



**BABY BUCKET ELEVATOR**

Scale:  $1/2'' = 1'$