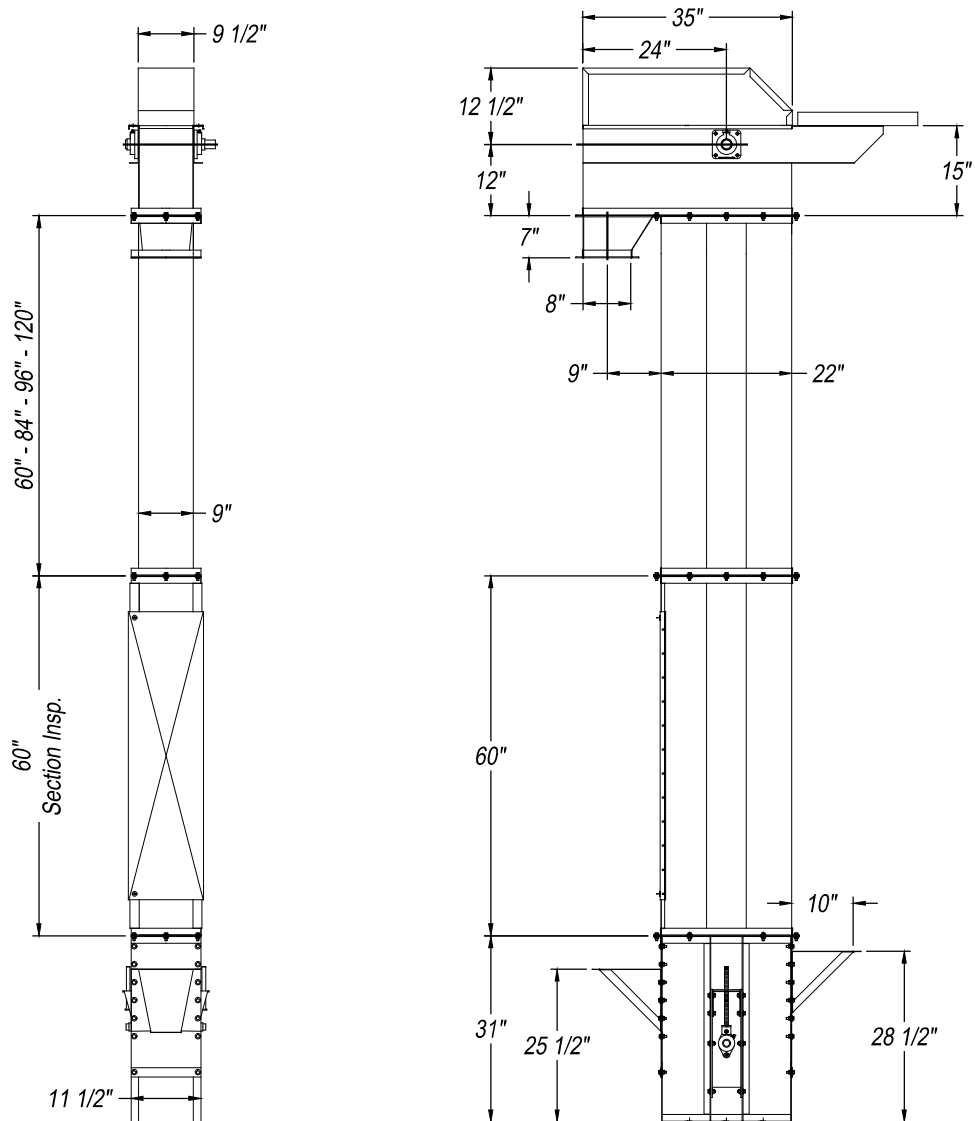




BUCKET ELEVATOR SPECIFICATIONS

MODEL	JUNIOR 40	JUNIOR 60	JUNIOR 80
(1) Capacity in Bu/hour	400	600	800
Belt Speed F.P.M.	294	294	294
Head Pulley R.P.M.	130	130	130
Bucket Spacing	10"	7"	6"
Bucket Size	6" x 4"	6" x 4"	7" x 4"
Head Pulley Size		8" Dia. 8" Face	
Head Shaft Dia.		1-7/16	
Boot Shaft Dia.		1	
Head Casing		14 Gauge	
Boot Casing		14 Gauge	
Legging		16 Gauge	
Recommended Spouting		6"	
Bearings	Ball Bearing	Ball Bearing	Flange Type
Belt Size		P.V.C. 7" Wide	P.V.C. 8" Wide
(1) @75% Cup Filling			

Dimensions



JUNIOR BUCKET ELEVATOR

Scale: 3/8" = 1'