

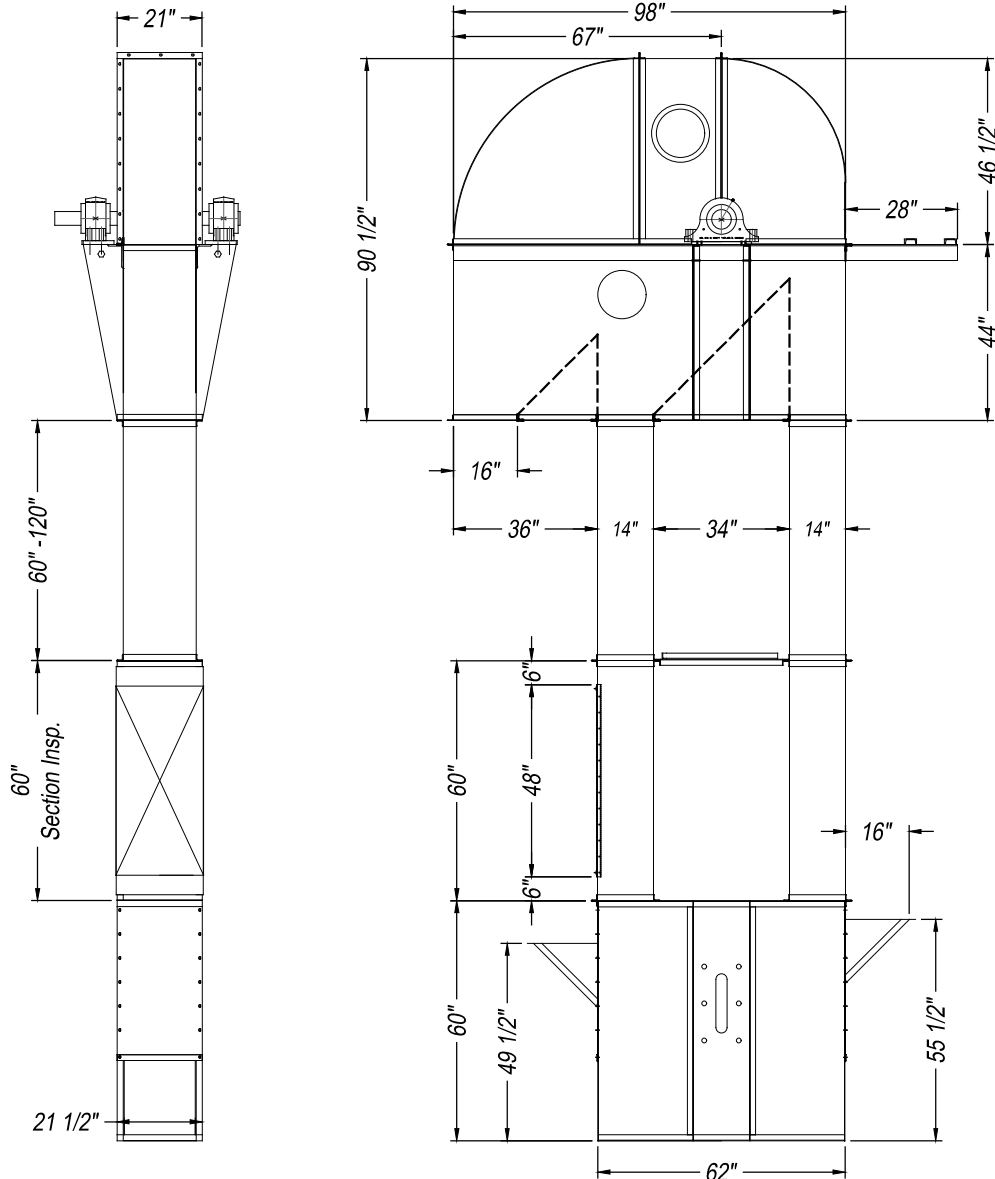


BUCKET ELEVATOR SPECIFICATIONS

MODEL	MAJOR III-80	MAJOR III-90	MAJOR III-100
(1) Capacity in Bu/hour	8000	9000	10000
Belt Speed F.P.M.	659	688	688
Head Pulley R.P.M.	70	73	73
Bucket Spacing	12"	11"	10"
Bucket Size	15" x 8" C.C.		
Head Pulley Size	36" Dia. X 16" Face		
Head Shaft Dia.	See Head Shaft Dia. Chart Page 10		
Boot Shaft Dia.	2-3/16"		
Head Casing	10, 11 & 12 Gauge		
Boot Casing	7 Gauge		
Legging	12 Gauge		
Recommended Spouting	14"	14"	16"
Bearings	Roller Bearing, Pillow Block		
Belt Size	P.V.C. 16" Wide		

(1) @75% Cup Filling

Dimensions



MAJOR III BUCKET ELEVATOR

Scale: 1/4" = 1'